

Up to 1700 kg/h



## GRANULATOR (GR)

The granulators of Redoma are intended for chopping of cables down to granule size. We offer 3 different sizes, installed respectively in our well-known cable recycling plants Thunderhawk, Powercat and Firefox.

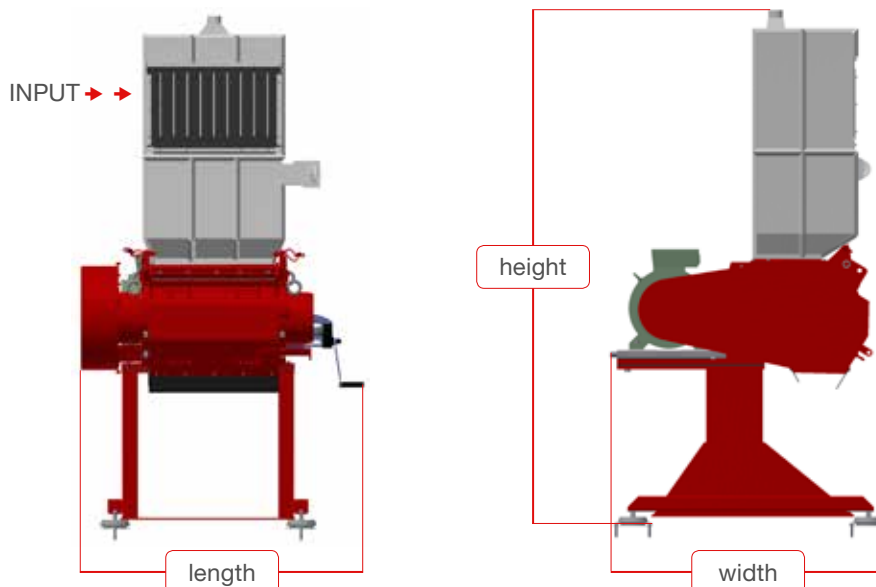
The granulators can also be installed in flexible combinations, such as single machines, twin-granulators, in-line or in parallel position, depending on requested capacity and type of plant.

- Robust and reliable machine
- Rotor knives are pre-adjusted in a jig outside the granulator for quick change
- All 4 edges of the fixed knives can be used
- Bearings are 100% protected from dirt
- Wear resistant design
- Housing inside is protected against wear and tear with easily replaceable wear discs and wear bar
- Easy access to knives and screen
- Screens with different hole sizes available
- No oversize for transport

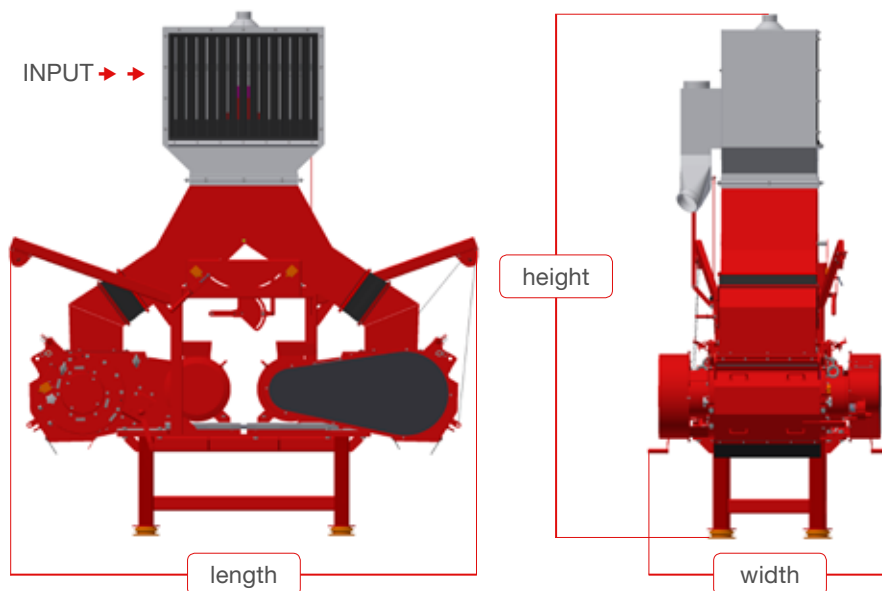


# Granulator

**SINGLE GRANULATOR**



**TWIN GRANULATOR**



Technical Specifications	GR22-350	GR37-500	GR45-660	Twin GR37	Twin GR45	Dimensions Units (EN)
Motor for rotor	22	37	45	2 x 37	2 x 45	kW
Rotor length	350	500	660	500	660	mm
Rotor diameter	350	350	400	350	400	mm
Rotor knives	5	5	2 x 5	5*	2 x 5*	pcs
Fixed knives	2	2	2	2*	2*	pcs
Overall length	1280	1370	1400	2760	2800	mm
Overall width	840	1080	1400	1310	1470	mm
Overall height	1950	2100	2850	3780	3940	mm
Weight, approx.	1630	2250	2550	4300	4940	kg
Max. infeed capacity (**)	300	550	700	-	-	kg/h
Max. infeed capacity (***)	450	800	1000	1300	1700	kg/h
Installed in Redoma plants	Thunderhawk	Powercat	Powercat Turbo	Firefox	Firefox Turbo	

\*) Per each granulator

\*\*) Max. infeed capacity is based on power cable with a copper content of min. 50%. Plant without rough chopper

\*\*\*) Max. infeed capacity is based on power cable with a copper content of min. 50%. Plant with rough chopper

